

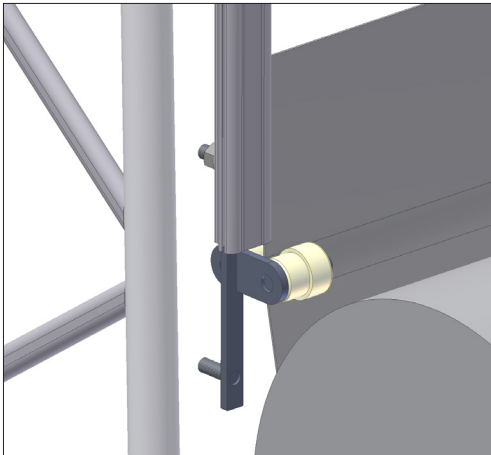
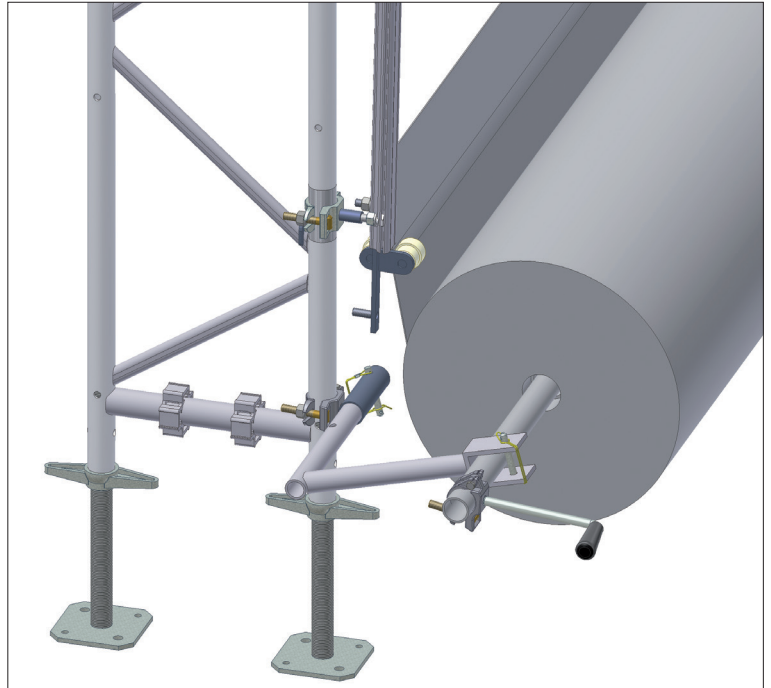
# Fitting the HAKI Trak sheet

## To fit the HAKI Trak sheet

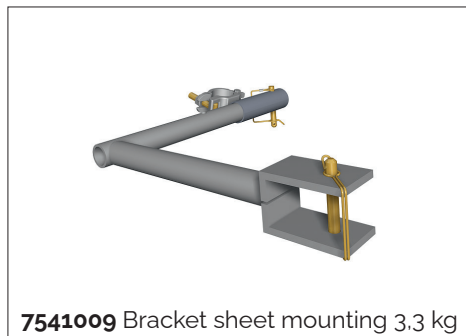
To facilitate the insertion of the HAKI Trak sheet in the runner, a guide Trak sheet is first inserted in both runners. The same procedure is used for both sides, turn the component upside down and move the locking nut.

If the Trak sheet is supplied on a roll, slide a scaffold tube through the roll and hang it on two brackets. The brackets are fitted on the standards or the frame. The same procedure is used for both sides; let the part with the connection stay put, dismantle the outer part and fit it from the other direction.

When fitting the sheet, use a crank with coupling fitted to the scaffold tube to make it easy to roll the sheet up on the scaffold tube.



**7541005** Guide Trak sheet 1,1 kg



**7541009** Bracket sheet mounting 3,3 kg



**7164002** Crank with coupler 1,6 kg

