

Component Details	08-01	
	Standards and base jack	08-01-01
	Single Ledgers	08-01-02
	Ledger Beams	08-01-03
	Stringers	08-01-05
	Intermediate Handrail	08-01-06
	Stair Handrails	08-01-07
	Landing Handrails	08-01-08
	Treads	08-01-09
	Decking	08-01-10
	Diagonal Braces	08-01-11
	Tripods	08-01-12
	HD Adaptor	08-01-13
	Handrail Extensions	08-01-14

Applications	08-02	
	Entrance Step	08-02-01
	1.0m Flight & 1.5m Flight	08-02-02
	0.5m Flight	08-02-04
	DDA Handrail	08-02-08
	Example Arrangements	08-02-10

Technical	08-03	
	Permissible Loadings	08-03-01

4	08/21
3	01/18
2	05/17
1	07/12
Issue	Date



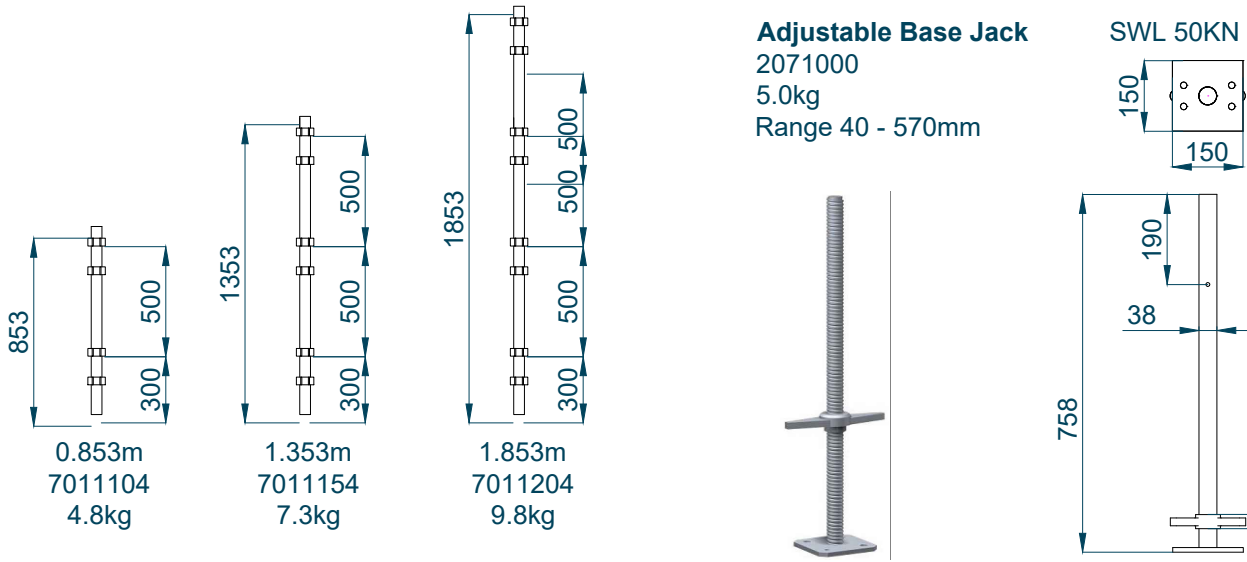
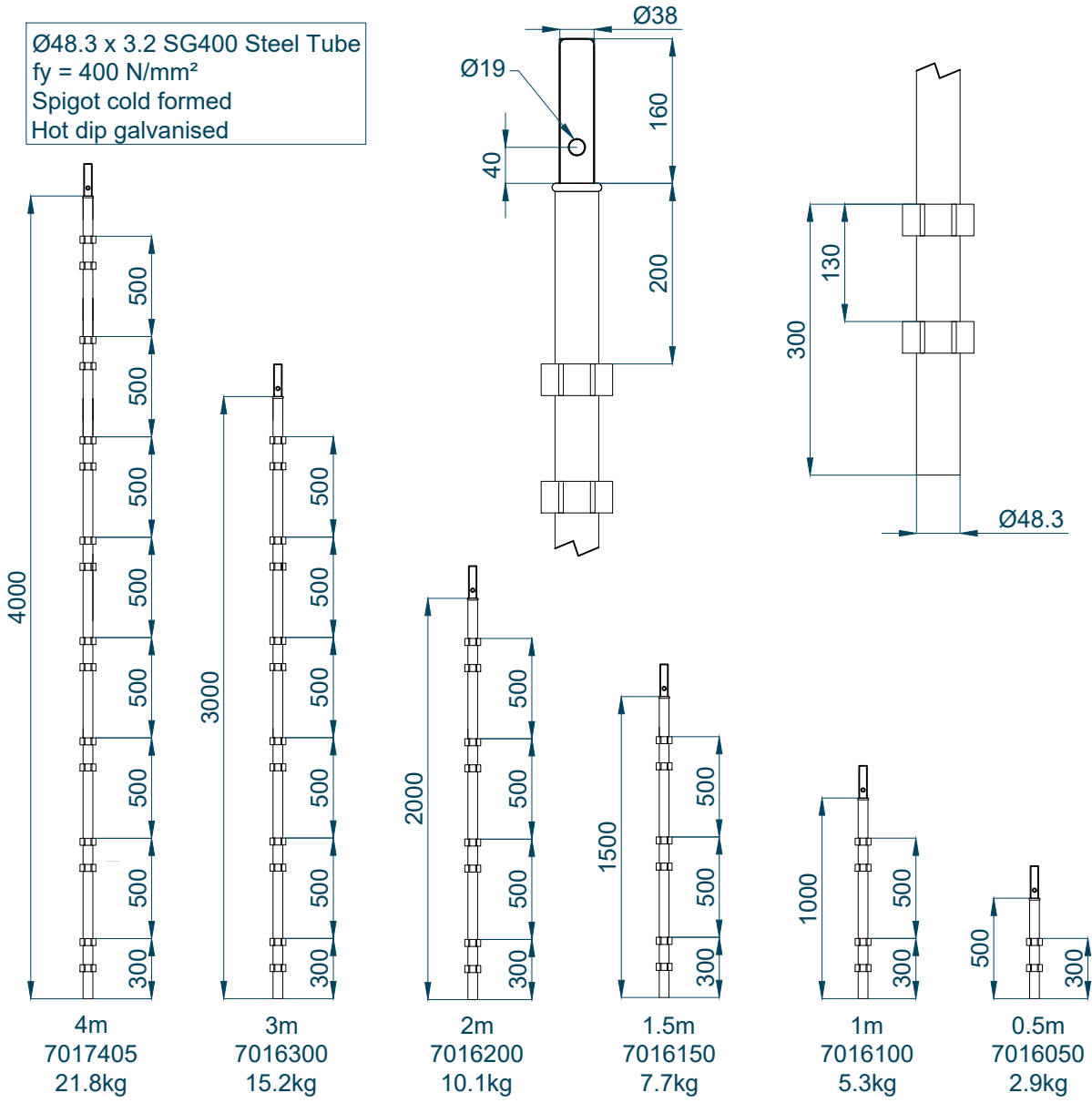
DESIGN DATA

PUBLIC
STAIR

INDEX

08 - 0

Ø48.3 x 3.2 SG400 Steel Tube
 $f_y = 400 \text{ N/mm}^2$
 Spigot cold formed
 Hot dip galvanised



3	03/19
2	02/19
1	07/12
Issue	Date

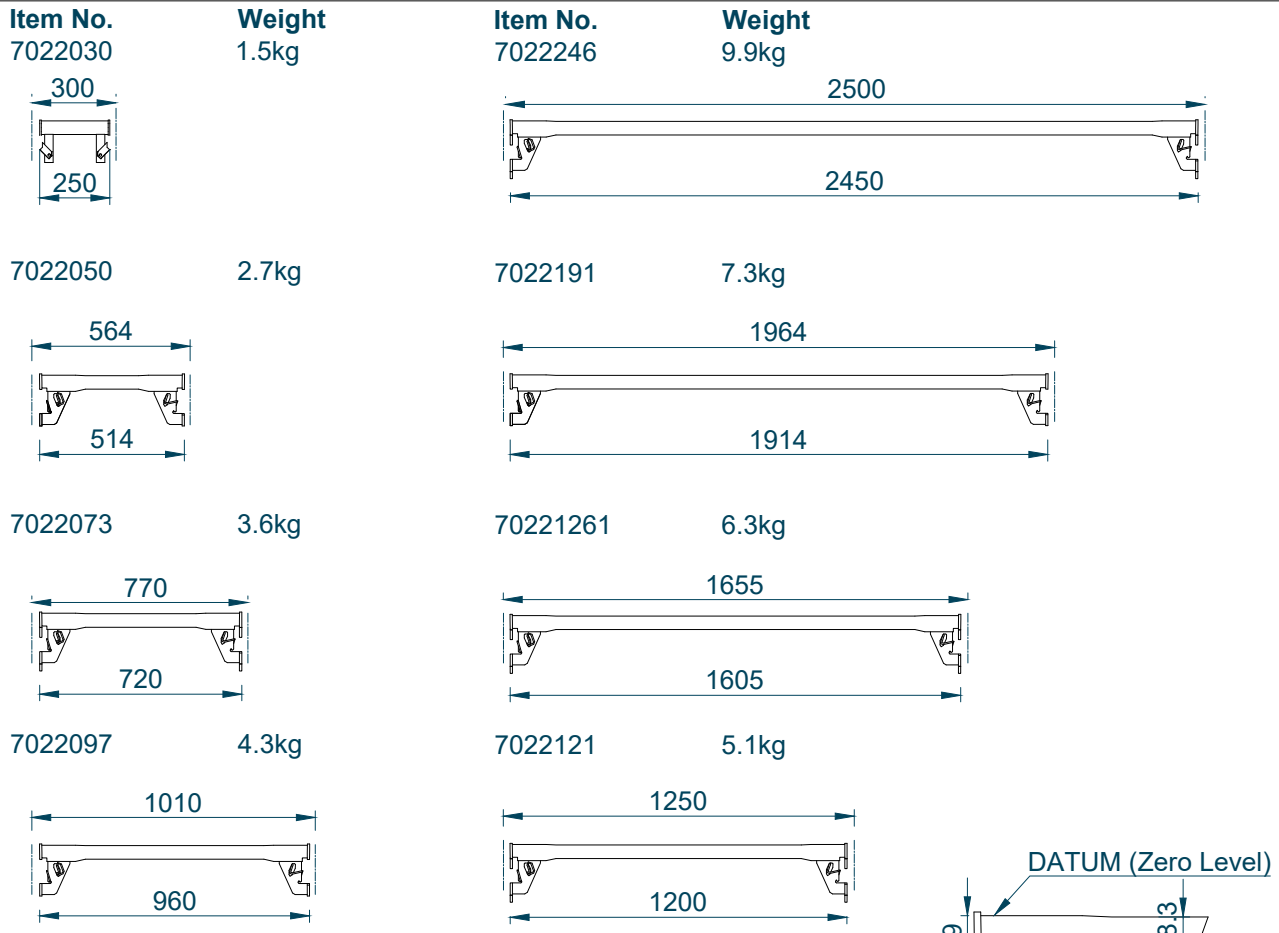


DESIGN DATA

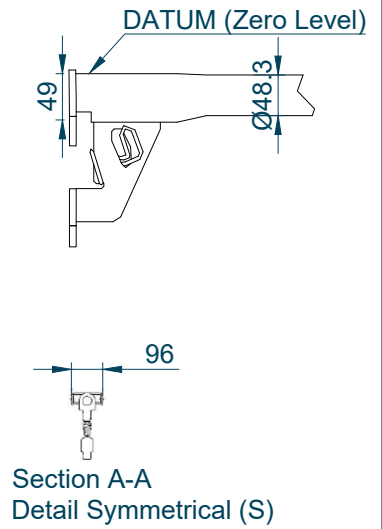
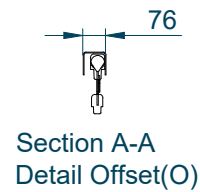
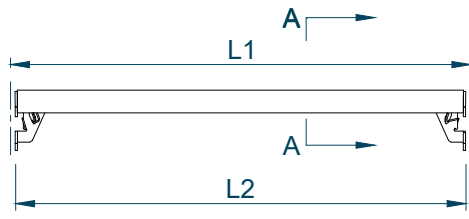
PUBLIC
STAIR

COMPONENTS
Standards and Base Jack

08 - 01 - 01



Single Ledger Cover



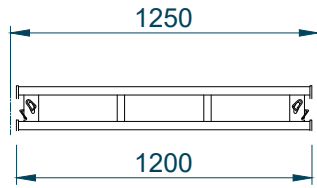
L1	L2	Item No.	Weight
1250 O	1200	7104125	6.7kg
1655 O	1605	7104165	8.5kg
1964 O	1914	7104191	10.0kg
1250 S	1200	7104126	7.2kg
1655 S	1605	7104166	8.5kg
1964 S	1914	7104192	10.7kg

Ø48.3 x 2.7 SG600 Steel Tube
fy = 600 N/mm²
Hot dip galvanised

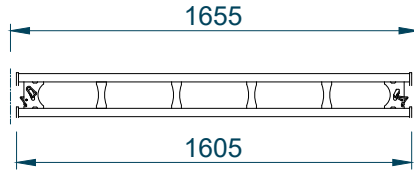
Issue	Date
3	11/18
2	05/17
1	07/12

	DESIGN DATA	PUBLIC STAIR
	COMPONENTS Single Ledgers	08 - 01 - 02

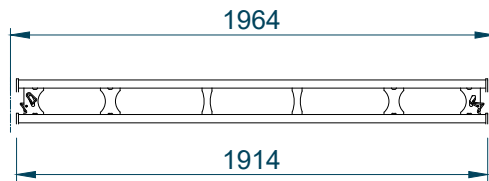
Item No. Weight
 7021122 6.5kg



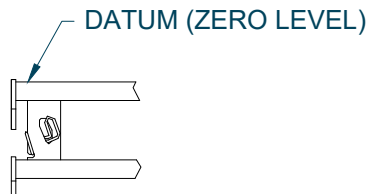
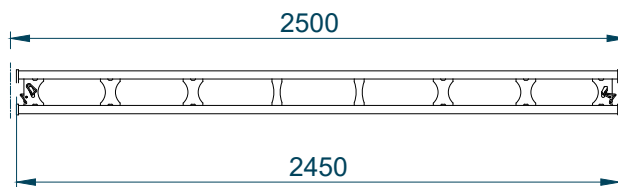
7021162 6.7kg



7021192 8.0kg



7021252 10.9kg



Ø33.7 x 2.6 SG400 Steel Tube
 $f_y = 400 \text{ N/mm}^2$
Hot dip galvanised

1	05/17
Issue	Date



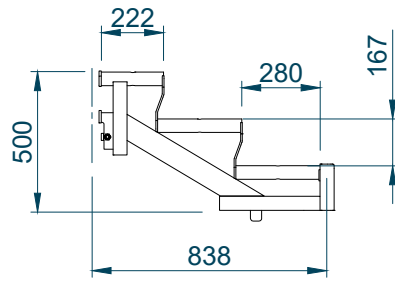
DESIGN DATA

COMPONENTS
 Ledger Beams

PUBLIC
 STAIR

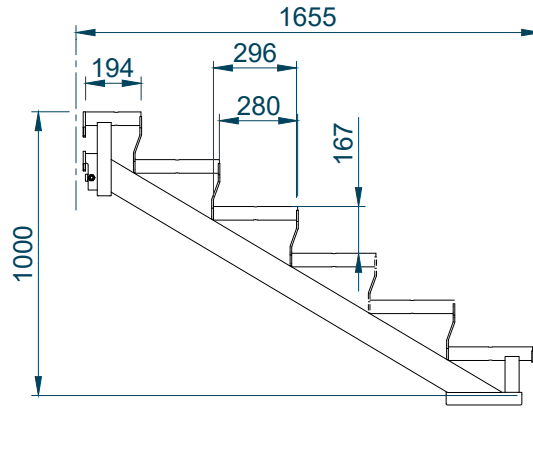
08 - 01 - 03

Entrance Step
7102006
10.7kg



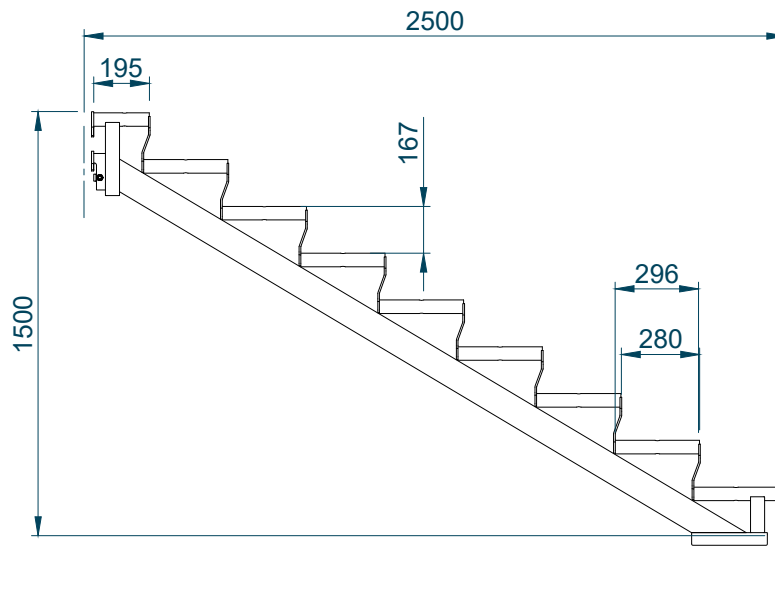
3 steps

1.0m Stringer
7102100
25.0kg



6 steps

1.5m Stringer
7102150
34.5kg



9 steps

2	05/17
1	07/12
Issue	Date



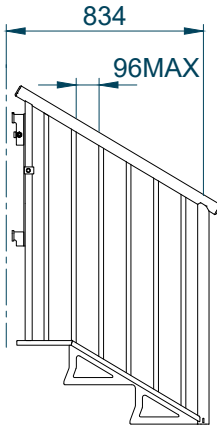
DESIGN DATA

PUBLIC
STAIR

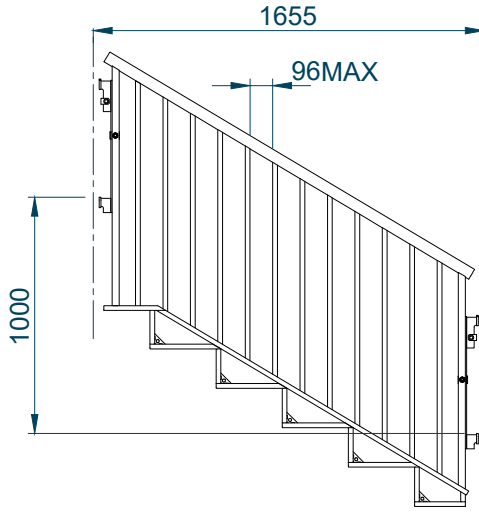
COMPONENTS
Stringers

08 - 01 - 05

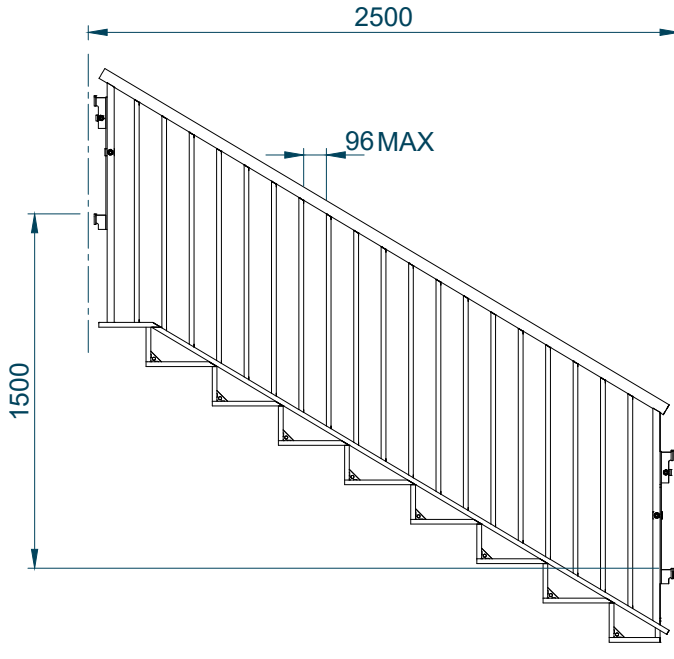
Entrance Handrail
7058004
15.0kg



1.0m Stair Handrail
7058100
26.5kg



1.5m Stair Handrail
7058152
36.5kg



© HAKI Ltd 2022

2	05/17
1	07/12
Issue	Date



DESIGN DATA

**PUBLIC
STAIR**

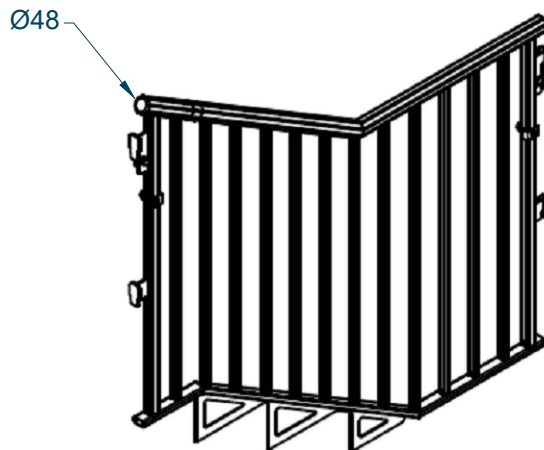
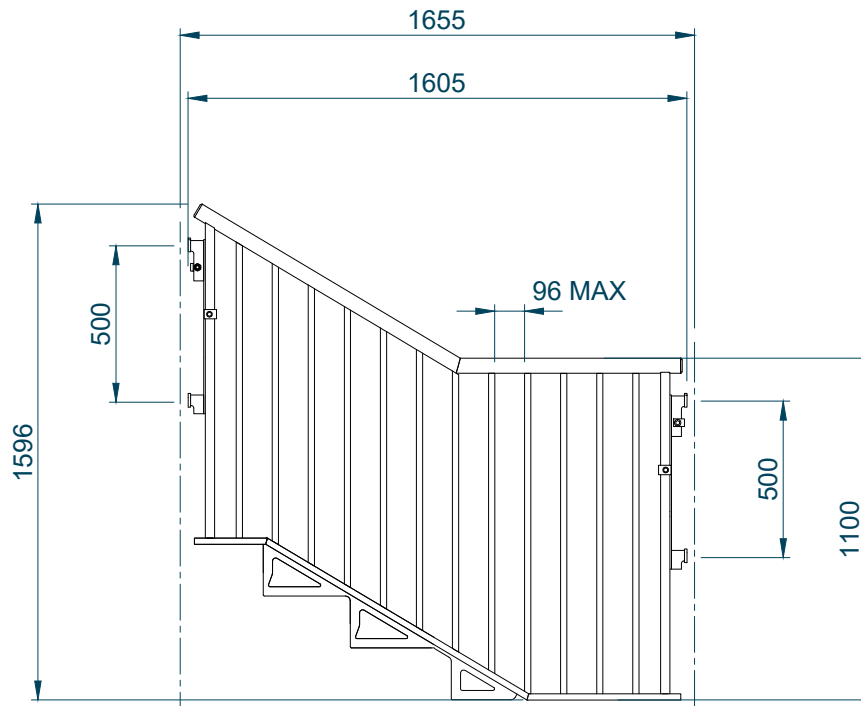
**COMPONENTS
Stair Handrails**

08 - 01 - 06

Intermediate Handrail

7058050

24.0kg



© HAKI Ltd 2022

1	05/17
Issue	Date

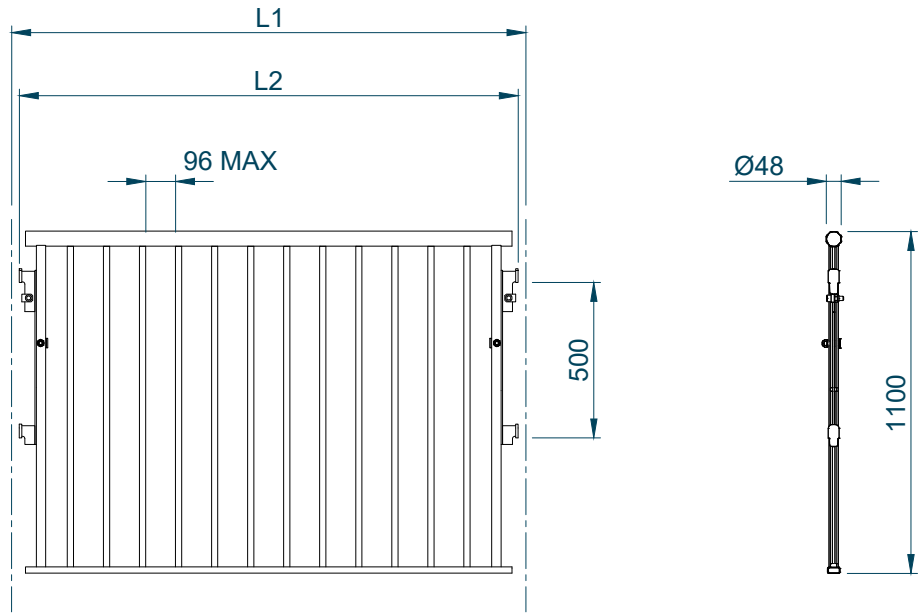


DESIGN DATA

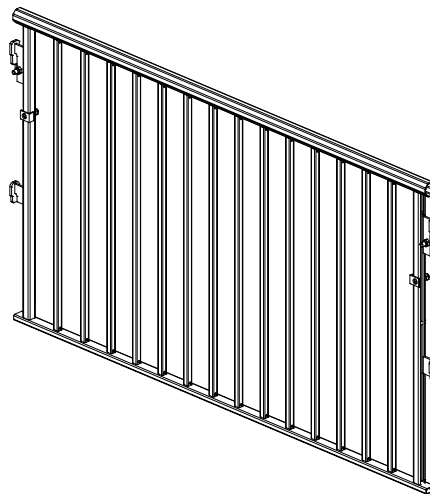
PUBLIC
STAIR

COMPONENTS
Intermediate Handrail

08 - 01 - 07



L1(mm)	L2(mm)	Item No.	Weight
300	250	7053030	7.5kg
564	514	7053056	10.9kg
770	720	7053077	12.5kg
1250	1200	7053125	19.5kg
1655	1605	7053165	23.0kg
1964	1914	7053191	28.2kg
2500	2450	7053250	34.2kg



© HAKI Ltd 2022

2	05/17
1	07/12
Issue	Date

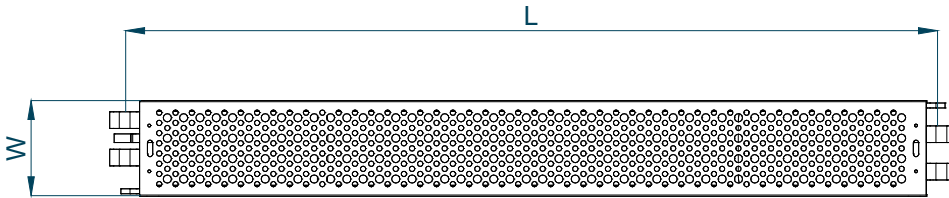


DESIGN DATA

PUBLIC
STAIR

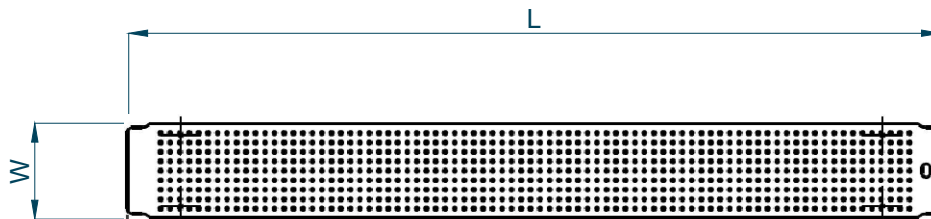
COMPONENTS
Landing Handrails

08 - 01 - 08


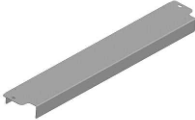
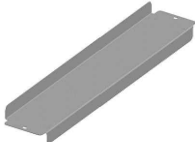


Aluminium Treads			
L(mm)	W(mm)	Item No.	Weight
1250	295	2153124	6.1kg
1250	200	2153125	5.0kg
1655	295	2153164	7.5kg
1655	200	2153165	6.2kg
1964	295	2153194	8.6kg
1964	200	2153195	7.1kg

Perforated Aluminium with steel hooks construction



Folded steel Chequer-Plate construction

Solid Steel Treads					
Location of each chequer plate on page 08-01-09B					
Type	L(mm)	W (mm)	Item No.	Weight	
 Chequer Plate Mating Tread	1250	270	2140121*	15.4kg	
	1655	270	2140161	17.2kg	
	1964	270	2140191	20.4kg	
 Chequer Plate Top Tread Landing	1250	250	2140122*	15.0kg	
	1655	250	2140162	19.7kg	
	1964	250	2140192	23.4kg	
 Chequer Plate Tread	1250	300	2140123*	17.2kg	
	1655	300	2140163	17.0kg	
	1964	300	2140193	24.2kg	

*NON-Stock item.

3	04/18
2	05/17
1	07/12
Issue	Date



DESIGN DATA

PUBLIC STAIR

COMPONENTS Treads

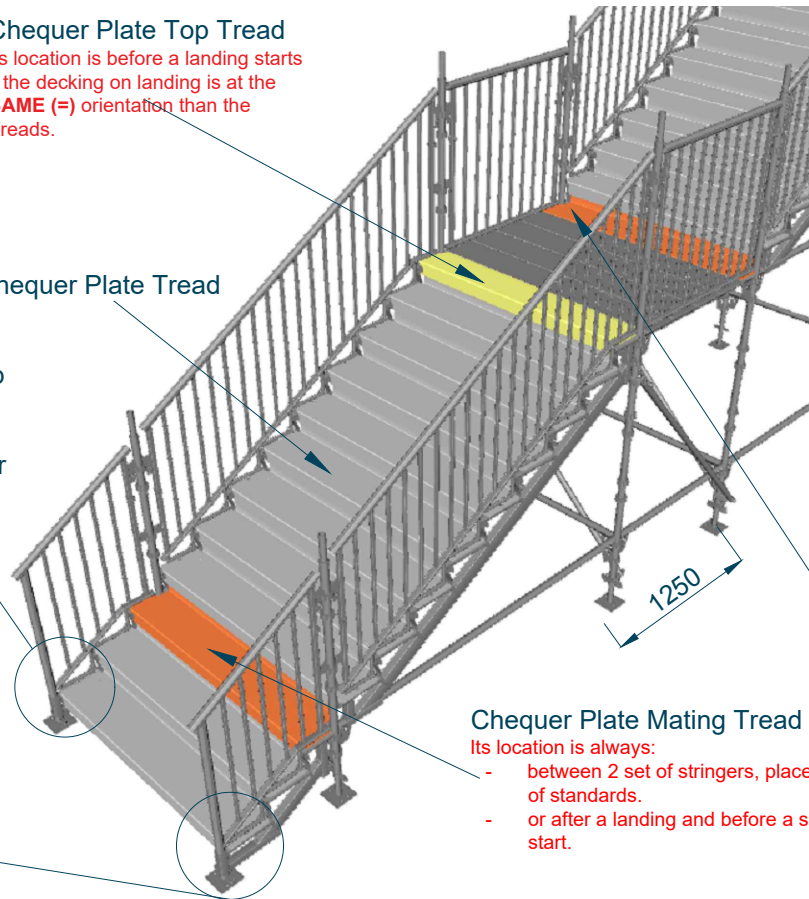
08 - 01 - 09A

Straight PAS

Chequer Plate Top Tread
 Its location is before a landing starts if the decking on landing is at the **SAME (=)** orientation than the Treads.

Chequer Plate Tread

1 Clevis Pin 12X80+1 R-Clip A-E3 must be installed at each end of the bottom entrance step when chequer solid treads are used.



Chequer Plate Mating Tread

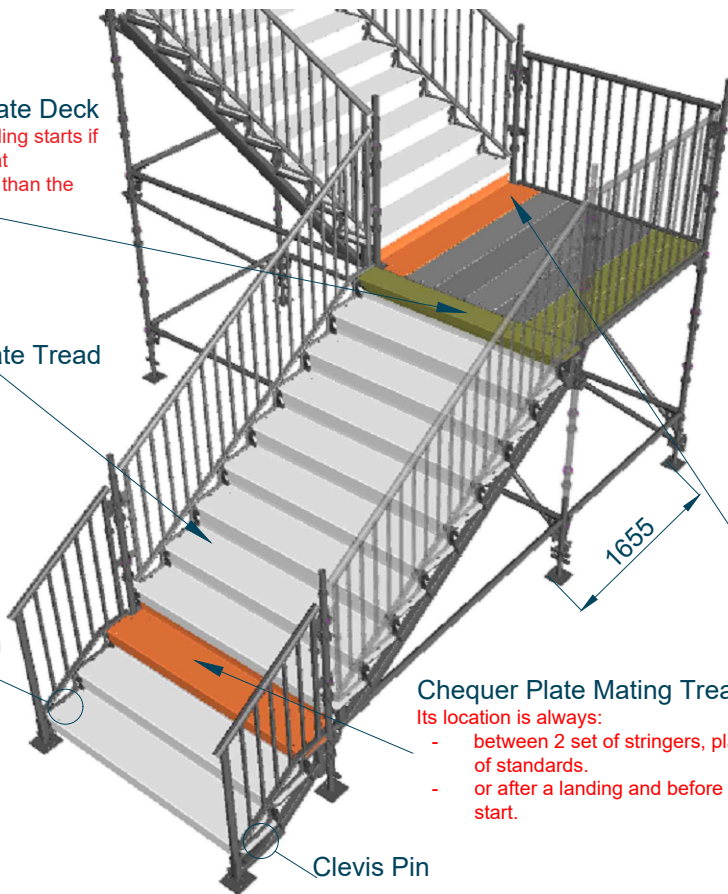
- Its location is always:
- between 2 set of stringers, placed before the set of standards.
 - or after a landing and before a set of stringers start.

Spiral PAS

200mm Chequer Plate Deck
 Its location is before a landing starts if the decking on landing is at **OPPOSITE (⊥)** orientation than the Treads.

Chequer Plate Tread

Clevis Pin



Chequer Plate Mating Tread

- Its location is always:
- between 2 set of stringers, placed before the set of standards.
 - or after a landing and before a set of stringers start.

Clevis Pin

© HAKI Ltd 2022

2	03/19
1	04/18
Issue	Date

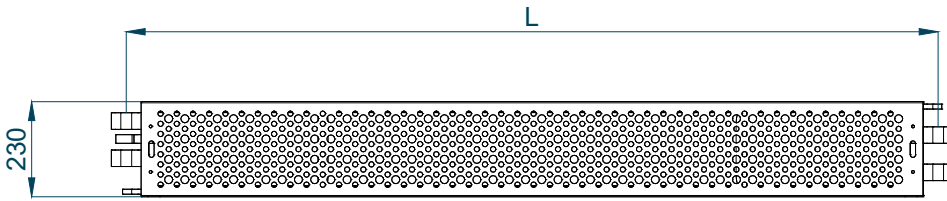


DESIGN DATA

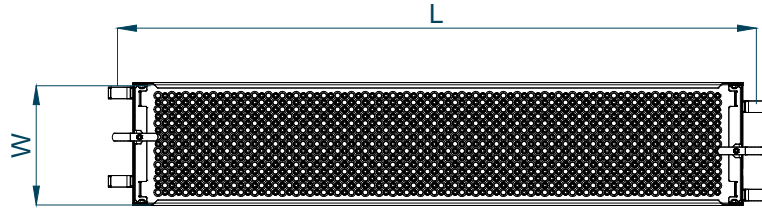
PUBLIC STAIR

COMPONENTS
 Solid Steel Treads Applications

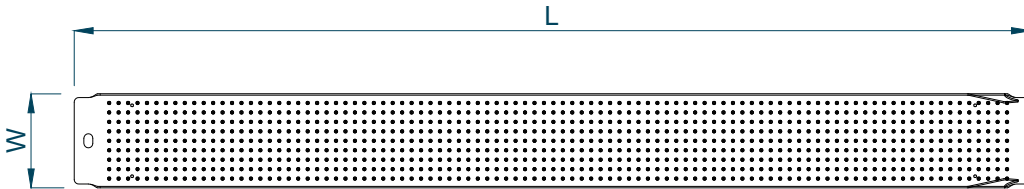
08 - 01 - 09B



Steel Decks		
L(mm)	Item No.	Weight
2500	21522500	14.8kg
1964	21521964	11.9kg
1655	21521655	9.9kg
1250	21521250	7.7kg



Aluminum Decks			
L(mm)	W(mm)	Item No.	Weight
1964	320	2153193	9.1kg
1655	320	2153163	7.9kg
1250	320	2153123	6.4kg
1964	230	2158190	7.8kg
1655	230	2158160	6.9kg
1250	230	2158120	5.6kg



Chequer Plate Deck				
Location of chequer plate decks on page 08-01-10B				
Type	L(mm)	W (mm)	Item No.	Weight(kg)
	1250	200	2140125	13.1
	1250	250	2140126	14.9
	1655	200	2140165	17.4
	1655	250	2140166	19.7
	1964	200	2140195	20.6
	1964	250	2140196	23.4
	2500	200	2140255	26.2
	2500	250	2140256	29.8

4	07/19
3	11/18
2	05/17
1	07/12
Issue	Date

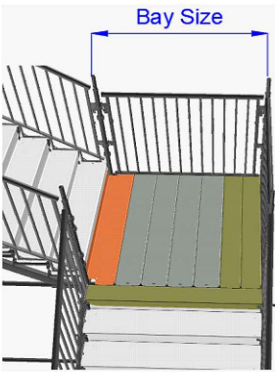

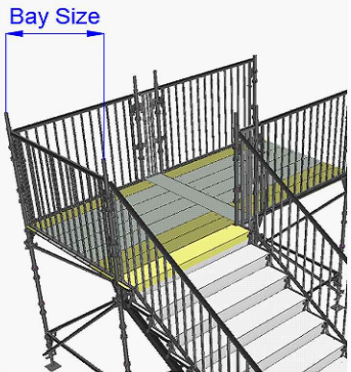







DESIGN DATA

PUBLIC
STAIR

COMPONENTS
Decking

08 - 01 - 10A

Bay Size	Spiral Flights	Straight Flights	Straight Landing
			
1250 mm	1xMating Tread + 4x250mm Decks	1xMating Tread + 4x250mm Decks	4x250mm Decks + 1x200mm Deck
1655mm	1xMating Tread + 4x250mm Decks + 2x200mm Decks	1xMating Tread + 4x250mm Decks + 2x200mm Decks	4x250mm Decks + 3x200mm Decks
1964mm	1xMating Tread + 6x250mm Decks + 1x200mm Decks	1xMating Tread + 6x250mm Decks + 1x200mm Decks	6x250mm Decks + 2x200mm Decks
NOTE: A 200mm Deck must be intalled next to a single Ledger (ERB)			

Chequer Plate Mating Tread	Chequer Plate Top Tread Landing	Chequer Plate Tread	Chequer Plate 200mm Deck	Chequer Plate 250mm Deck
				

Colours given just for clarification.

1	03/19
Issue	Date

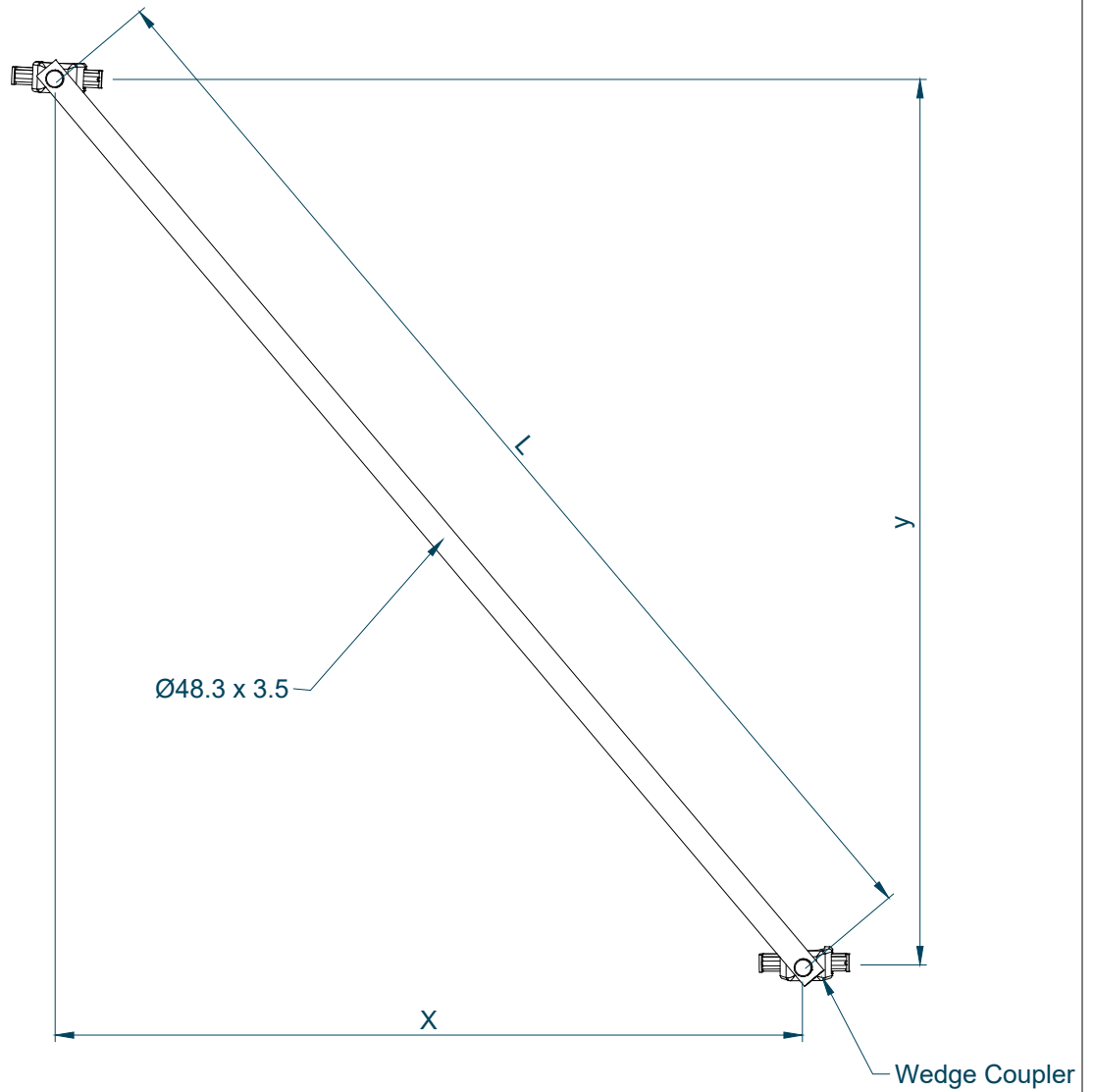


DESIGN DATA

COMPONENTS Decking Applications

PUBLIC
STAIR

08 - 01 - 10B



Description	Item No.	Weight	L (mm)	x (mm)	y (mm)	SWL Tension & Compression
1.25m Bay	7122124	9.1kg	1954	1250	1502	8.8 kN
1.655m Bay	7122164	10.1kg	2235	1655	1502	8.8 kN
1.964m Bay	7122194	10.7kg	2473	1964	1502	8.8 kN
2.5m Bay	7121254	12.3kg	2917	2500	1502	8.8 kN

Ø48.3 3.2 SG300
fy = 300 N/mm²
Hot dip galvanised

1	05/17
Issue	Date



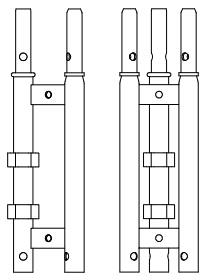
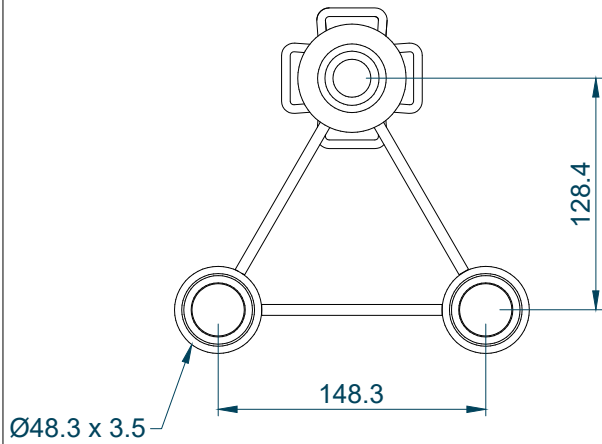
DESIGN DATA

PUBLIC
STAIR

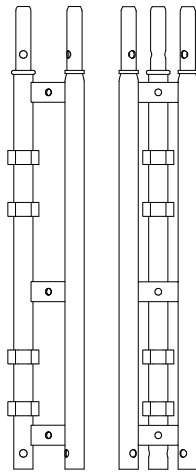
COMPONENTS
Diagonal Braces

08 - 01 - 11

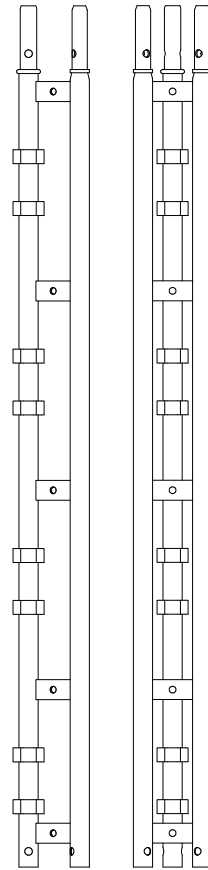
Ø48.3 x 3.5 SG400 Steel Tube
 fy = 400 N/mm²
 Spigot cold formed
 Hot dip galvanised



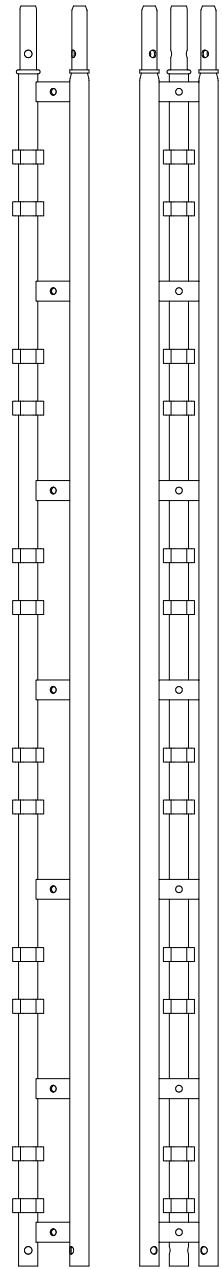
Tripod 500
 7203340
 10.0kg



Tripod 1000
 7203341
 17.3kg



Tripod 2000
 7203342
 31.8kg



Tripod 3000
 7203343
 45.8kg

© HAKI Ltd 2022

1	03/19
1	11/12
Issue	Date



DESIGN DATA

PUBLIC STAIR

APPLICATIONS

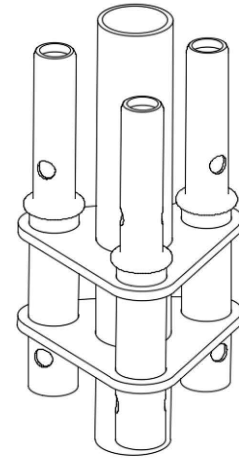
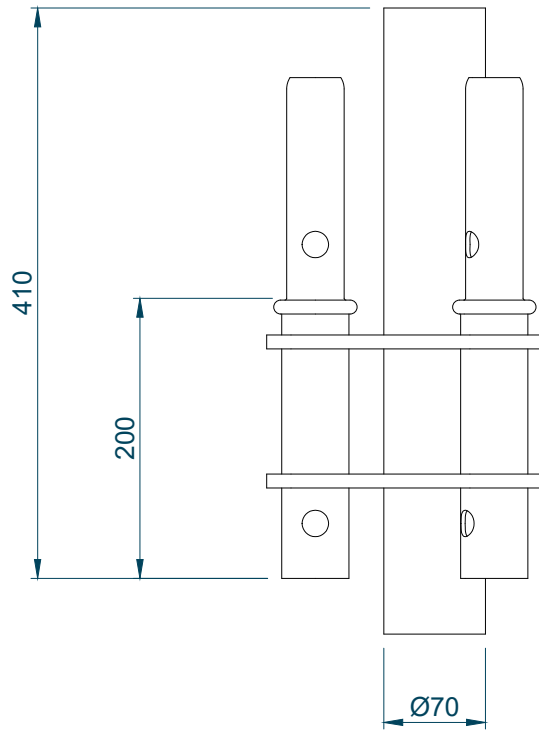
Example Arrangements: 1.655m PAS width

08 - 01 - 12

Adaptor Tripod 60

7203312

11.6kg

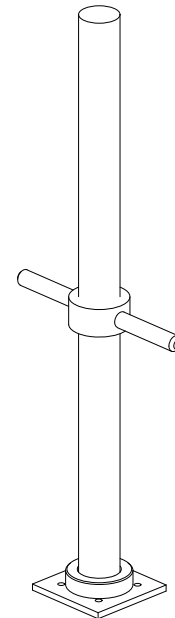
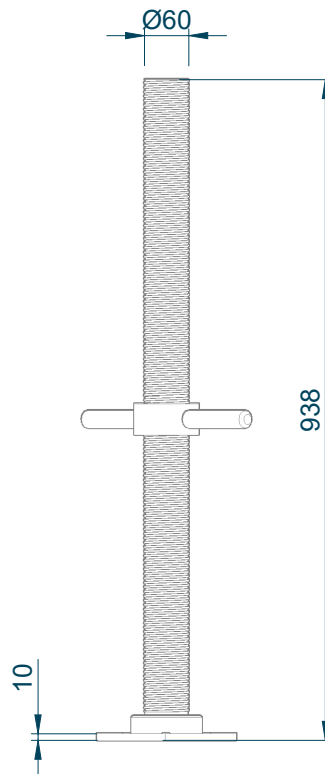


Material S235JR Steel Tube
355 MC D Plates

Base Jack 60

2071061

15.6kg



Material S355J2

© HAKI Ltd 2022

1	05/17
Issue	Date



DESIGN DATA

PUBLIC
STAIR

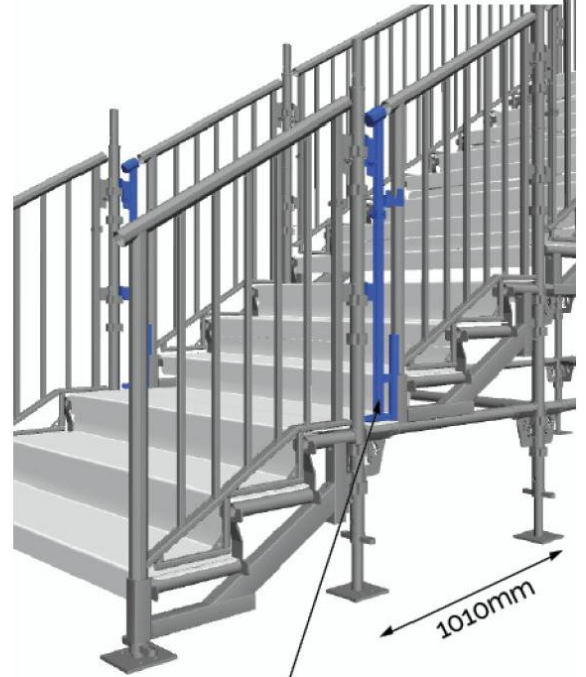
COMPONENTS
HD Adaptor

08 - 01 - 13

Handrail extension 3 step on a 1010mm bay
 7053011
 4.6kg



500mm flight on a 1010mm bay



Handrail extension 3 step
 on a 1010mm bay

Handrail extension from 3 step to 4 step
 7058002
 7.1kg



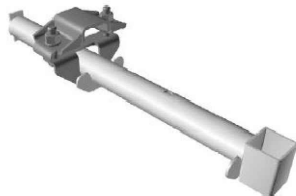
**Public Access Stair Entrance
 with 4 steps**



Handrail extension
 from 3 step to 4 step

Additional step
 for stringer 3 step

Additional step for stringer 3 step
 7102007
 3.3kg



© HAKI Ltd 2022

1	08/21
Issue	Date

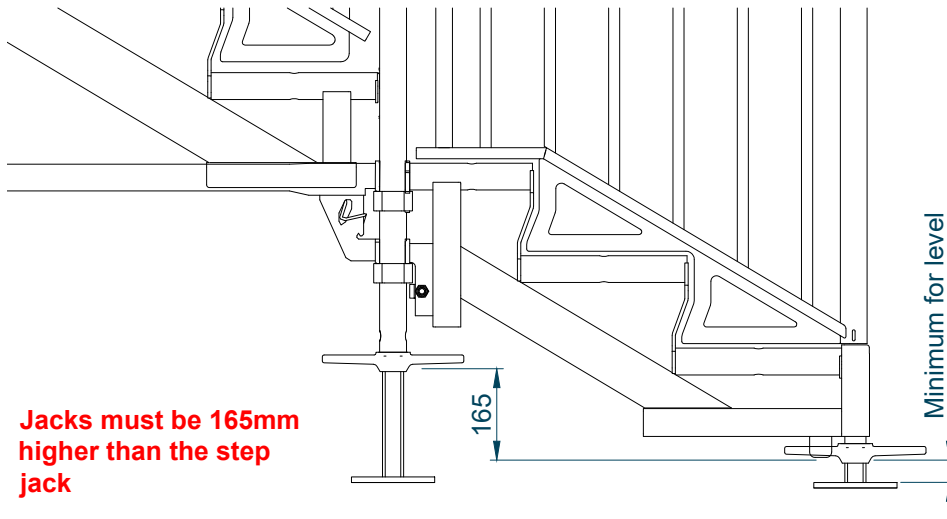
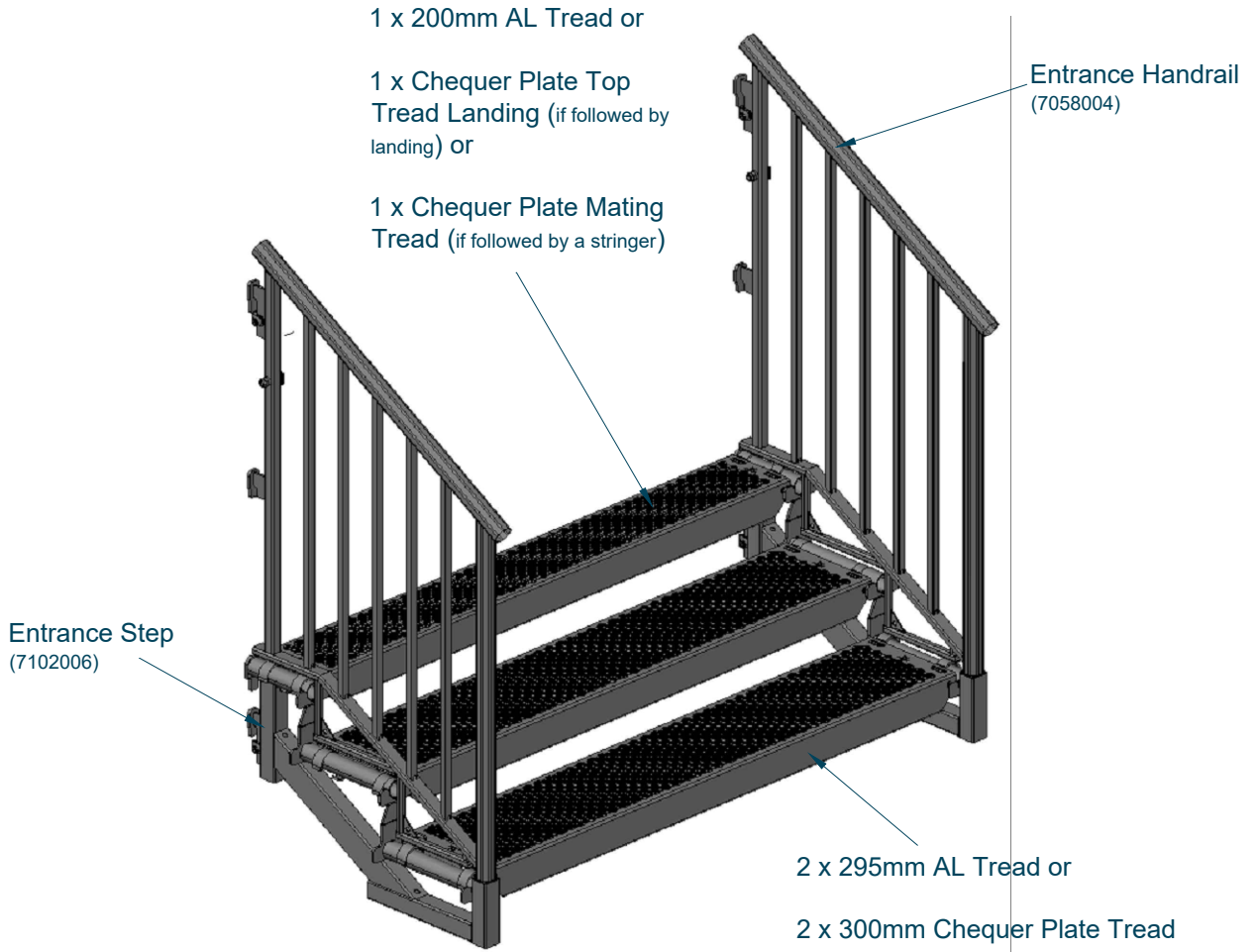


DESIGN DATA

**PUBLIC
 STAIR**

COMPONENTS
 Treads

08 - 01 - 14



3	01/18
2	05/17
1	07/12
Issue	Date



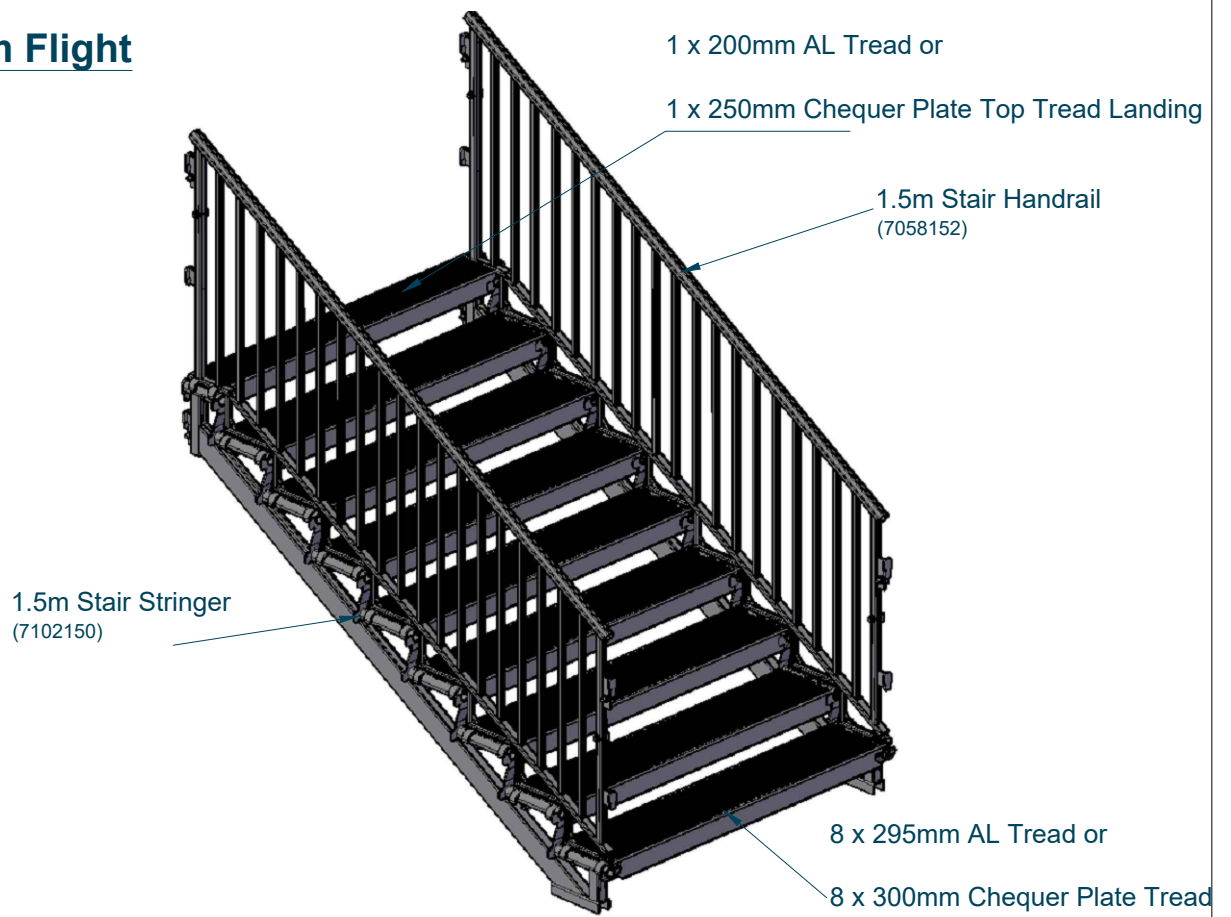
DESIGN DATA

PUBLIC
STAIR

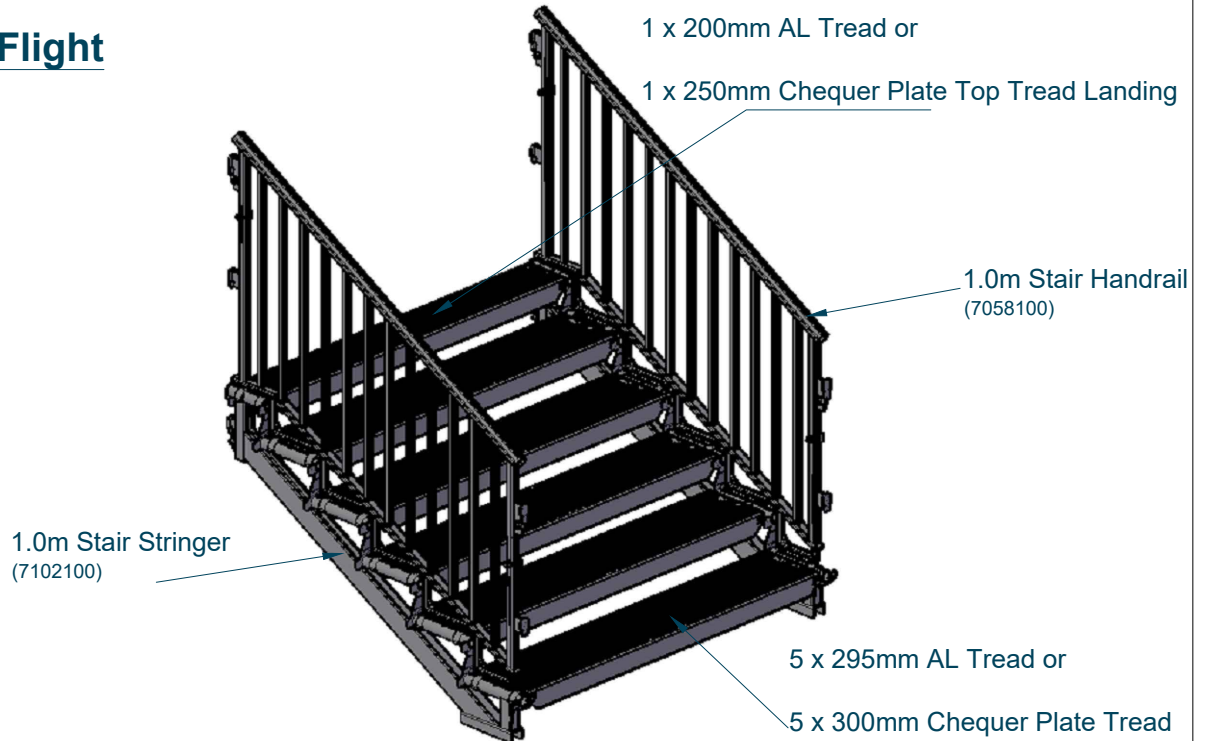
APPLICATIONS
Entrance Step

08 - 02 - 01

1.5m Flight



1.0m Flight



3	03/19
2	05/17
1	07/12
Issue	Date



DESIGN DATA

PUBLIC
STAIR

APPLICATIONS
1.0m Flight and 1.5m Flight

08 - 02 - 03

1 x 200mm AL Tread or

1 x Chequer Plate Top
Tread Landing (if followed by
landing) or

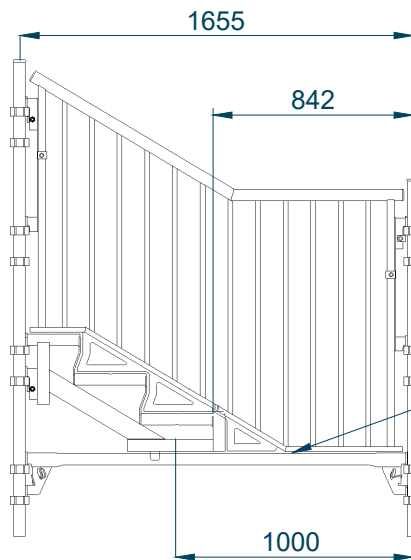
1 x Chequer Plate Mating
Tread (if followed by a stringer)

Entrance Step
(7102006)

Intermediate Handrail
(7058050)

3 x 320mm AL Tread or
Any combination of decks
to cover @1000mm

2 x 295mm AL Tread or
2 x 300mm Chequer Plate Tread



Any combination of decks
to cover @1000mm

© HAKI Ltd 2022

1	01/18
Issue	Date



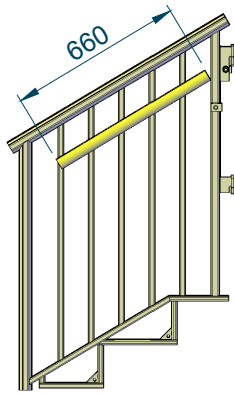
DESIGN DATA

PUBLIC
STAIR

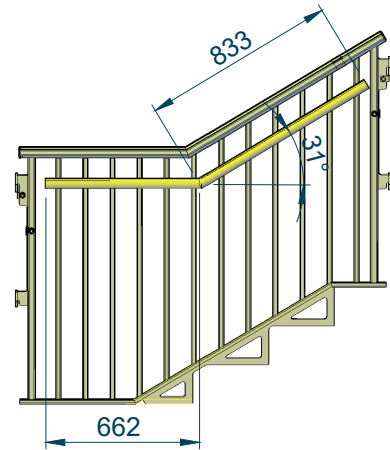
APPLICATIONS
0.5m Intermediate Flight

08 - 02 - 04

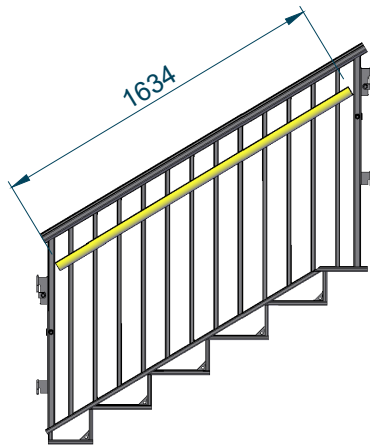
Code	Description.	Length (mm)
8000050	DDA Handrail - entrance	660



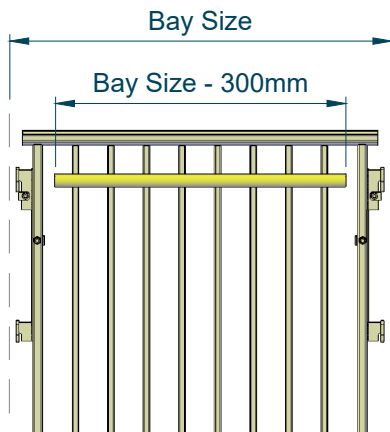
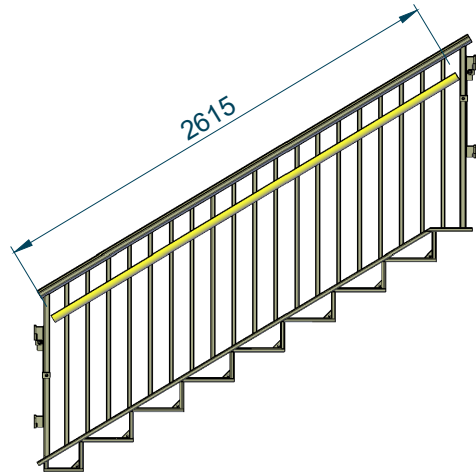
Code	Description.	Length (mm)
8000055	DDA Handrail - 0.5m flight	662/833



Code	Description.	Length (mm)
8000100	DDA Handrail - 1m flight	1634



Code	Description.	Length (mm)
8000150	DDA Handrail - 1.5m flight	2615



Code	Description.	Length (mm)
8000056	DDA Handrail - 0.564m	264
8000077	DDA Handrail - 0.77m	470
8000125	DDA Handrail - 1.25m	950
8000165	DDA Handrail - 1.655m	1355
8000196	DDA Handrail - 1.964m	1664
8000250	DDA Handrail - 2.5m	2200

1	03/20
Issue	Date



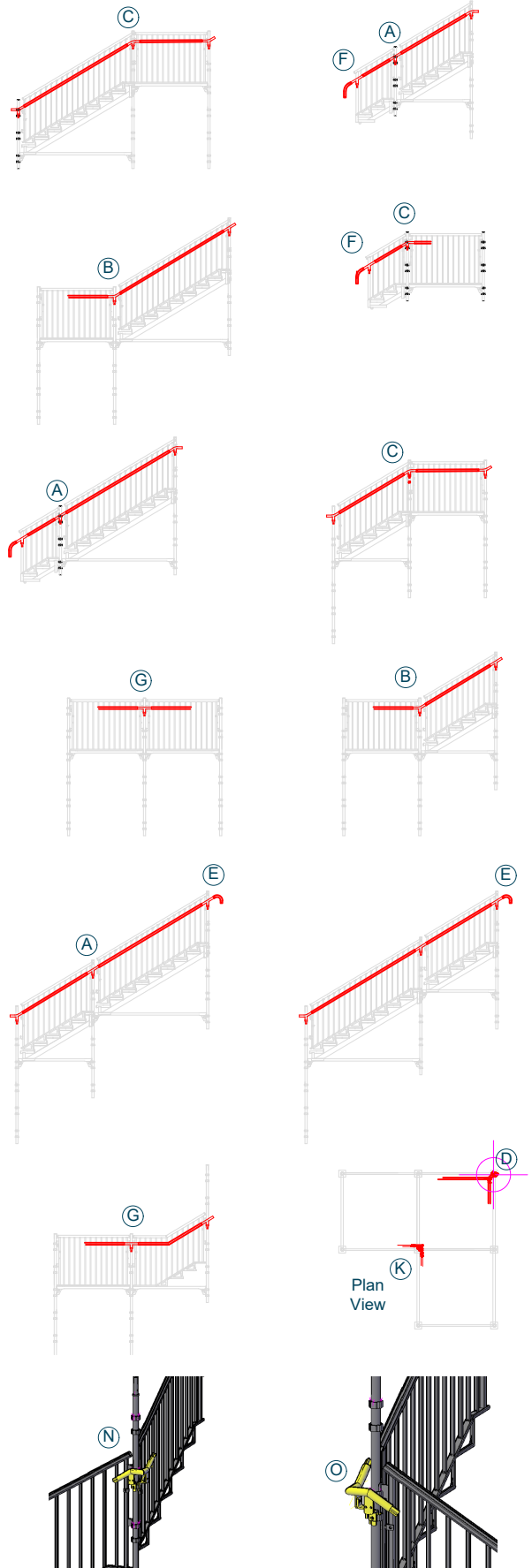
DESIGN DATA

APPLICATIONS
DDA Handrails - Tubes

PUBLIC
STAIR

08 - 02 - 08

	Code	Description
	8000001	DDA Bracket (with screws)
	8000002	DDA Adaptor A
	8000003	DDA Adaptor B
	8000004	DDA Adaptor C
	8000005	DDA Adaptor D (90° Corner)
	8000006	DDA Adaptor G
	8000007	DDA Adaptor F
	8000008	DDA Adaptor E
	8000009	DDA Adaptor H
	8000010	DDA Adaptor J
	8000011	DDA Adaptor K
	8000012	DDA Adaptor L
	8000013	DDA Adaptor M
	8000014	DDA Adaptor N
	8000015	DDA Adaptor O
	8000000	DDA End Cap



4	03/20
3	11/18
2	01/18
1	10/17
Issue	Date

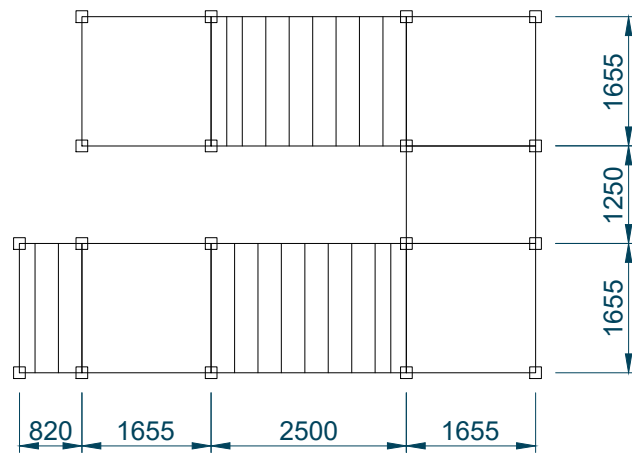
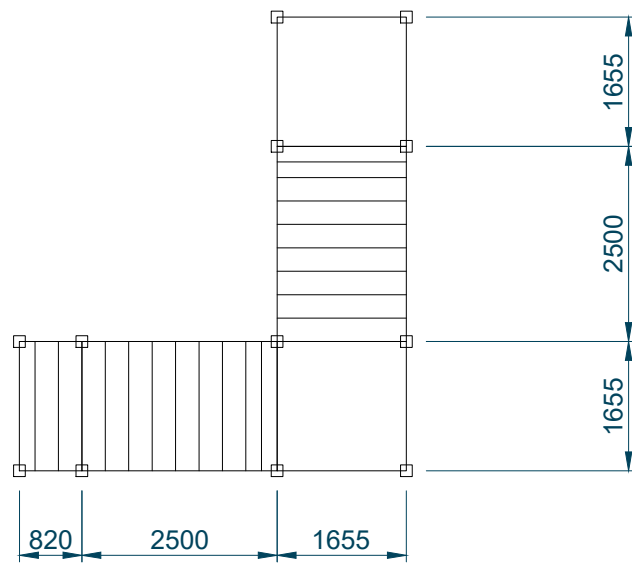
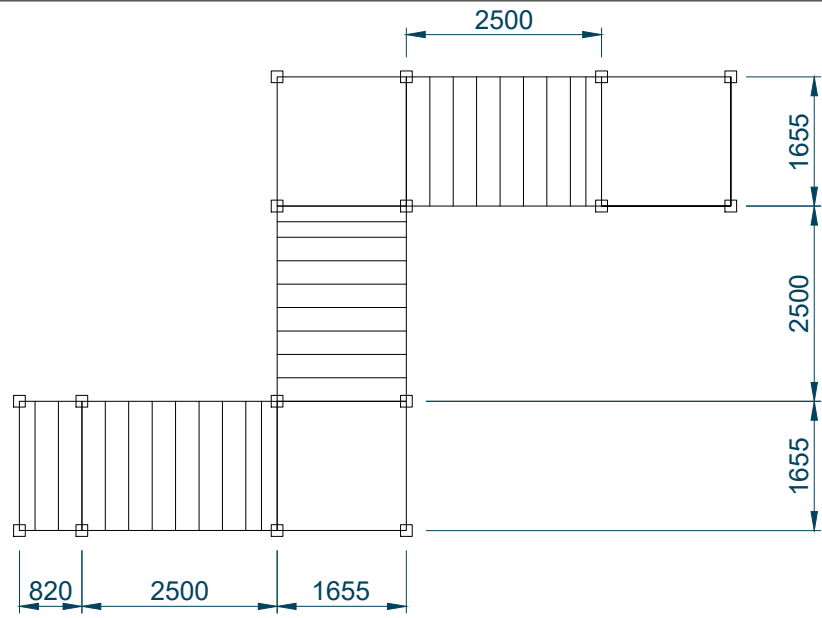


DESIGN DATA

PUBLIC STAIR

APPLICATIONS
DDA Handrails - Brackets

08 - 02 - 09



1	07/12
Issue	Date

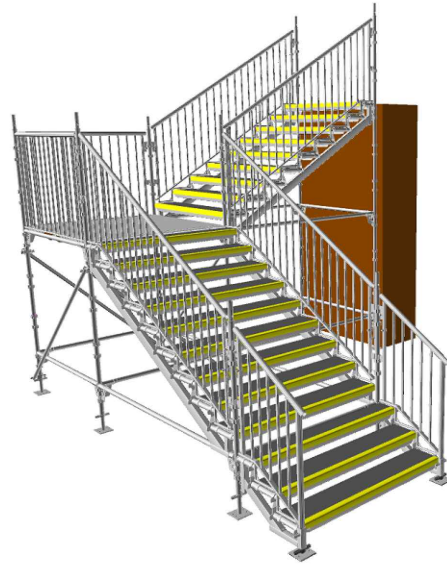
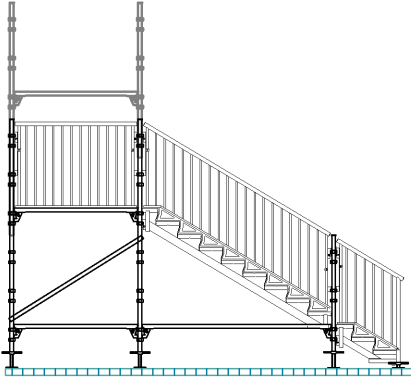
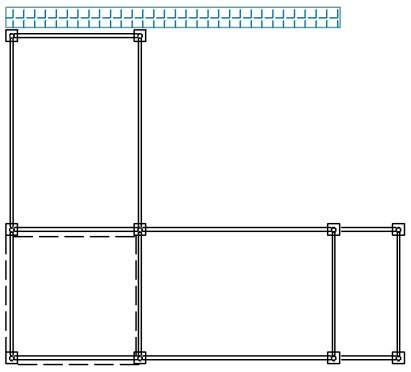


DESIGN DATA

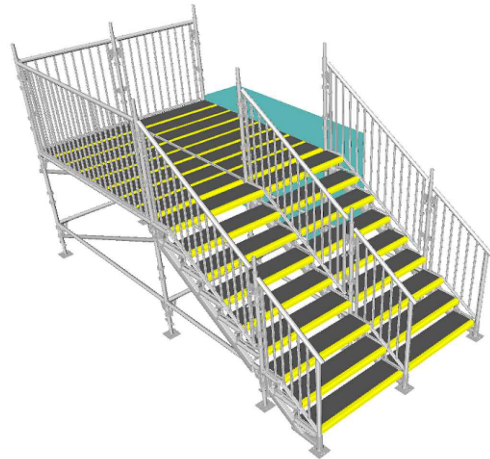
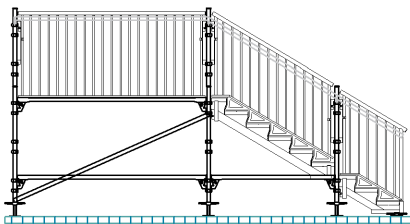
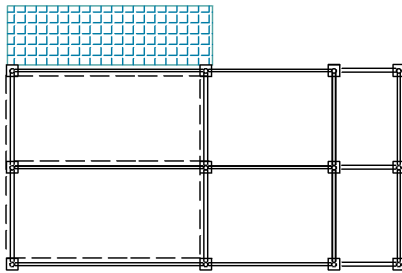
PUBLIC STAIR

APPLICATIONS
Example Arrangements

08 - 02 - 10



3.5m Tower
2 x 1.5m flight +
1 entrance step



1.5m Tower
2 x 1.0m flight +
2 entrance step

NOTES:

- Divisions of flights should not be more than 2000mm wide, if more than 2000mm wide the flight should be divided.
- For flights between landings the number of risers should be a maximum of 16 risers.
- At the top and bottom of every flight, the landing width should be at least the same as the stair width.

2	03/19
1	11/12
Issue	Date

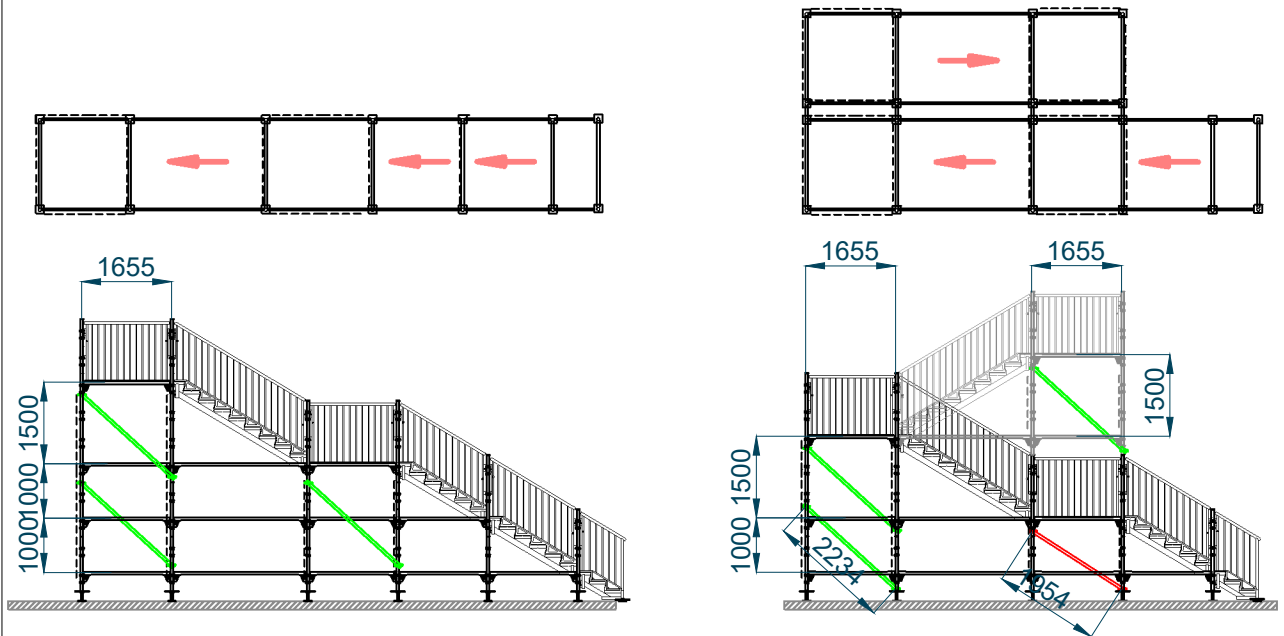


DESIGN DATA

**PUBLIC
STAIR**

APPLICATIONS
Example Arrangements

08 - 02 - 11

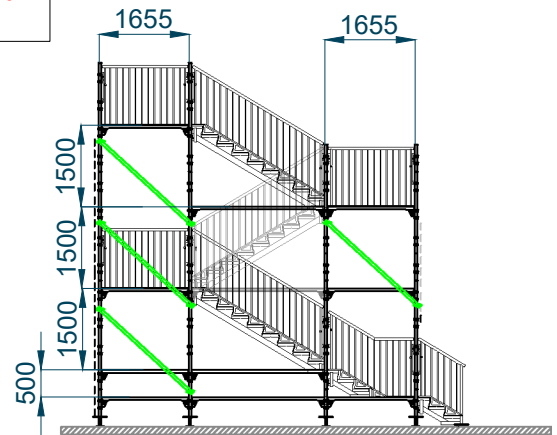
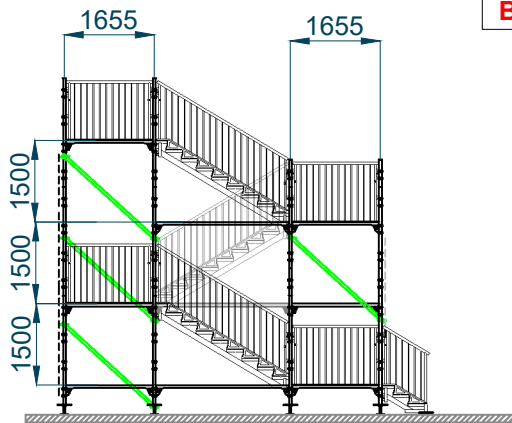
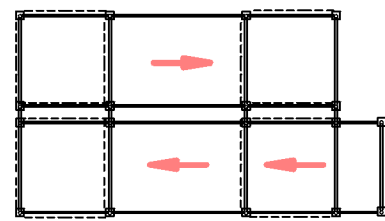
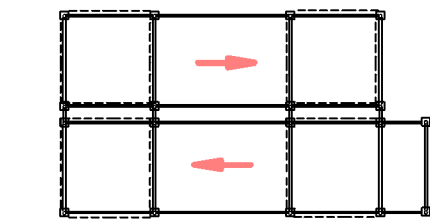
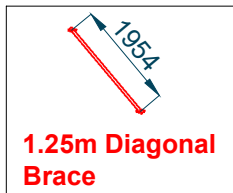
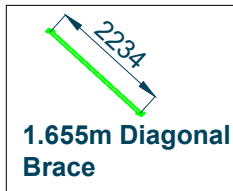


4m Tower

1 x 1.5m flight +
2 x 1m flight +
1 entrance step

4.5m Tower

2 x 1.5m flight +
1 x 1m flight +
1 entrance step



5m Tower

3 x 1.5m flight +
1 entrance step

5.5m Tower

3 x 1.5m flight +
1 x 0.5m intermediate flight +
1 entrance step

NOTES:

- Divisions of flights should not be more than 2000mm wide, if more than 2000mm wide the flight should be divided.
- For flights between landings the number of risers should be a maximum of 16 risers.
- At the top and bottom of every flight, the landing width should be at least the same as the stair width.

1	03/19
1	11/12
Issue	Date



DESIGN DATA

PUBLIC STAIR

APPLICATIONS

Example Arrangements: 1.655m PAS width

08 - 02 - 12

Imposed Loading	
Public Access Regulation	5.0 kN/m ²
Event Access Regulation	7.5 kN/m ²
Fire Escape	depends on authority

Permissible Loads for Stair Stringer (2.5 x 1.5m)		
Stair Width (m)	Permissible Loading One Side only (kN/m ²)	Permissible Loading Two Sides (kN/m ²)
1.25m	14.6	7.3
1.655m	11.0	5.5
1.964m	9.3	4.6



Permissible Loads in Verticals		
Lifts 1.5m	Base Jacks 50.0 kN	Tripod 200 kN

2	09/21
1	05/17
Issue	Date

Reference: 1202 FEA 25/08/2020



DESIGN DATA

PUBLIC STAIR

TECHNICAL
Permissible Loadings

08 - 03 - 01